



FauxFlame™ FFS1425-6E



DESIGN

The FAUXFLAME range of rotisseries has been designed with performance, practicality and mobility in mind. Light weight and compact FAUXFLAME is the ideal rotisserie for markets and food trucks and offers rapid production together with excellent cooking quality.

Conscious of the costs involved for our clients, the FAUXFLAME rotisserie has energy-saving infrared burners, patented by Rotisol, that enable the rapid roasting of a variety of products.

FEATURES

- Independent motor for each spit
- Spits with Bakelite handles
- Reinforced and anti warping heating element
- 2 K-glass doors (removable for transport)
- Bottom drip tray with drainage tap
- Optional lighting



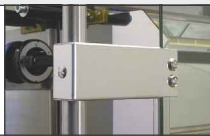
FFS1425-6E-SS
All stainless steel

TECHNICAL DETAILS

Overview of some of the standard features.



Reinforced heating elements with stainless steel holders to keep them in place and removable stainless steel panels for easy cleaning.



Robust hinges designed for heavy use, with integrated locking in open and closed positions.



Easy and protected access to the compartment of connections and electrical components.



Independent floating, swinging and adjustable motors to for easy placement and removal of spits.



Anti-scald K-glass reduces external thermal radiation (energy saving). Glass overlaps drip pan to keep splatters inside (anti-slip protection).



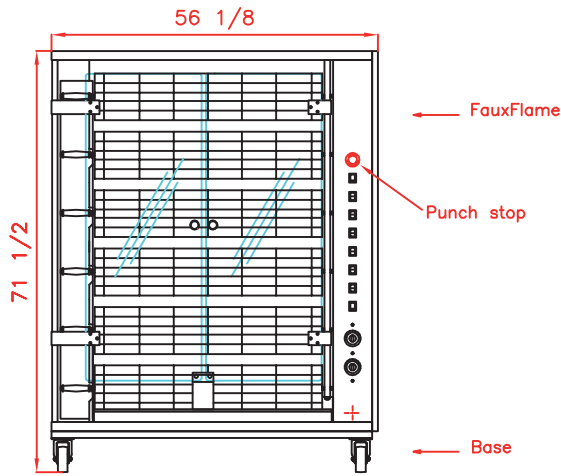
Removable inside side-panels doubles protection from grease seeping into motors and other sensitive parts

ACCESSORIES

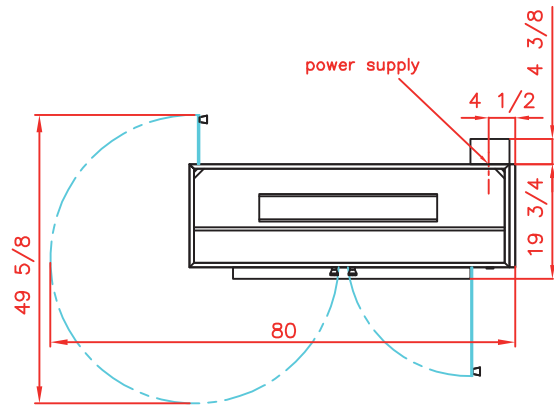
A variety of accessories are available. See video of available accessories online.

| | | | | | |
|--|--|--------------------------------------|--|--|--|
| CUI1425 Anti-cutting prongless V-spit. | | BPOR1425 Porchetta spit. | | BRC1425 Rectangular basket spit. | |
| BS1425 Spit for ham / turkey. | | BRRO1425 Roast-clamp spit. | | BA1425 Lamb/suckling-pig spit. | |
| BCR1425 Spatchcock chicken basket. | | DEC Spit mover. | | PID1425 Tray for unspitting. | |

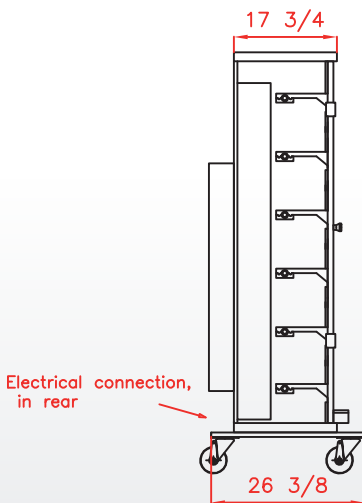
Front view



Top view



Side view



Revised :
September 2021



FFS1425-6E-SS
All stainless steel

SPECIFICATIONS

| | |
|---------------------------|---------------------------------------|
| Capacity roasted chickens | 30/36 chickens, 24/30 open chickens |
| Power supply | 208-240V-60Hz ; 3 Phases + Earth |
| Electrical power | 92 Amps ; 33,08 kW |
| Weight and size (HxDxW)* | 463 Lbs ; 71 1/2 x 24 x 56 1/8 inches |
| Shipping weight and size* | 620 Lbs ; 76 7/8 x 30 x 57 1/8 inches |
| Warranty | 1 year parts and labor |

* with a stand or base cabinet (optional)

DISTRIBUTOR / AGENT

Rotisol France, Inc.
1450 W. 228th Street, Unit 10, TORRANCE, CA 90501
info@rotisolusa.com
Ph :310 671 7254

